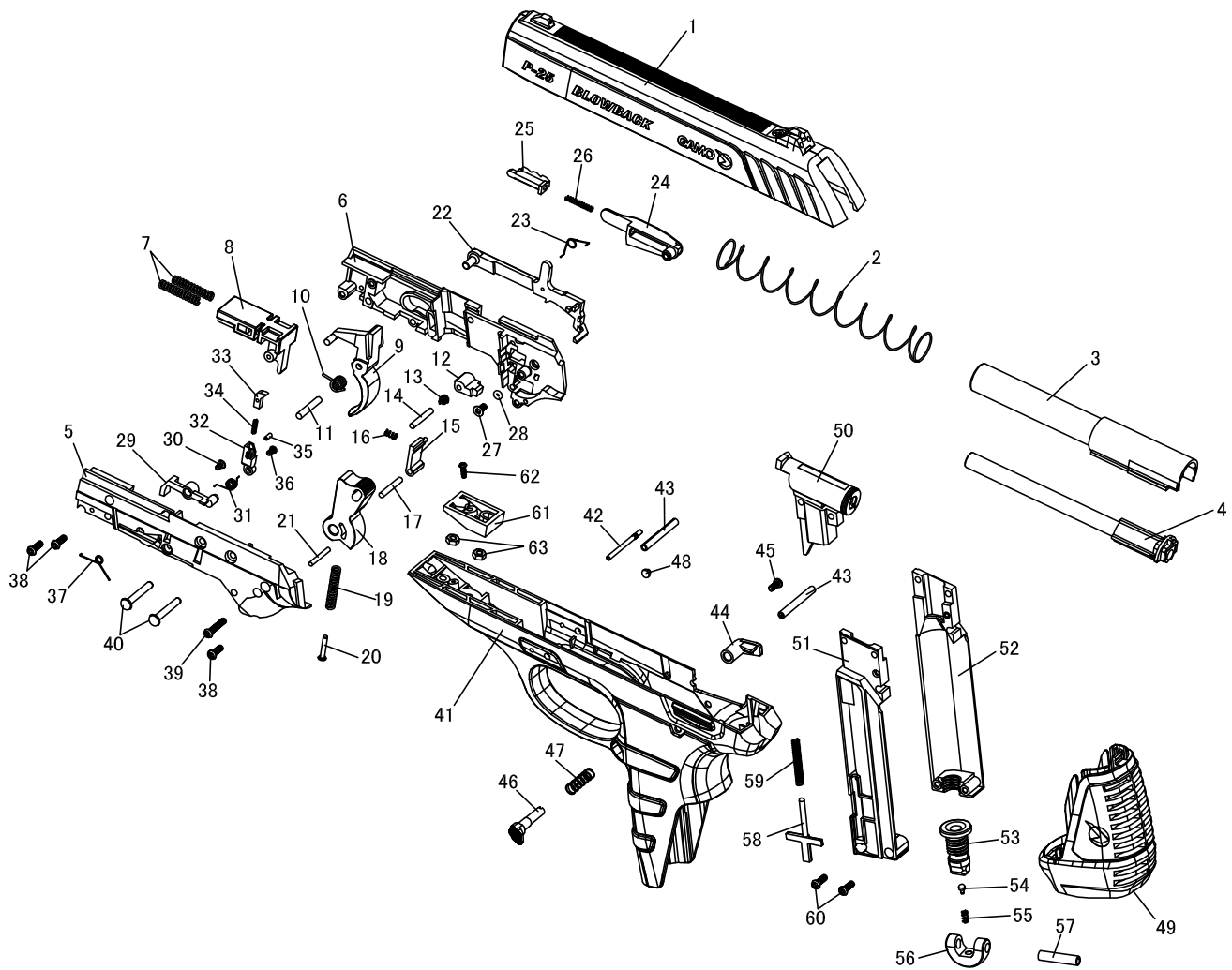


# P-25 BLOWBACK



- |                                |                               |  |
|--------------------------------|-------------------------------|--|
| 1. Slide Assembly              | 23. Trigger Bar Spring        | 45. Magazine Catch Screw                 |
| 2. Recoil Spring               | 24. Safety                    | 46. Magazine Catch Button                |
| 3. Outer Barrel                | 25. Safety Lock               | 47. Magazine Catch Spring                |
| 4. Inner Barrel Assembly       | 26. Safety Lock Spring        | 48. Red Dot                              |
| 5. Mechanism Frame Left        | 27. Safety Screw              | 49. Grip Bottom                          |
| 6. Mechanism Frame Right       | 28. Space O-ring              | 50. Valve Assembly                       |
| 7. Buffer Spring               | 29. Hand Lever                | 51. Puncture Frame Left                  |
| 8. Slide Block                 | 30. Hand Lever Screw          | 52. Puncture Frame Right                 |
| 9. Trigger                     | 31. Hand Spring               | 53. Puncture Adjuster Screw              |
| 10. Trigger Spring             | 32. Hand                      | 54. Puncture Screw Click Plunger         |
| 11. Trigger Pin                | 33. Pawl                      | 55. Puncture Screw Click Plunger Spring  |
| 12. Hammer Block Piece         | 34. Pawl Spring               | 56. Puncture Adjuster Screw Knob         |
| 13. Hammer Block Piece Spring  | 35. Pawl Pin                  | 57. Puncture Screw Pin                   |
| 14. Hammer Block Piece Pin     | 36. Hand Screw                | 58. Magazine Release                     |
| 15. Sear                       | 37. Hand Lever Spring         | 59. Magazine Release Spring              |
| 16. Sear Spring                | 38. Mechanism Frame Screw (S) | 60. Puncture Frame Screw                 |
| 17. Sear Pin                   | 39. Mechanism Frame Screw (L) | 61. Mount Adapter Screw Nut Holder       |
| 18. Hammer                     | 40. Valve Body Pin            | 62. Mount Adapter Screw Nut Holder Screw |
| 19. Hammer Spring              | 41. Frame                     | 63. Mount Adapter Screw Nut              |
| 20. Hammer Spring Guide        | 42. Slide Block Pin           |  |
| 21. Hammer Spring Pressure Pin | 43. Mechanism Frame Pin       |  |
| 22. Trigger Bar                | 44. Magazine Catch            |  |